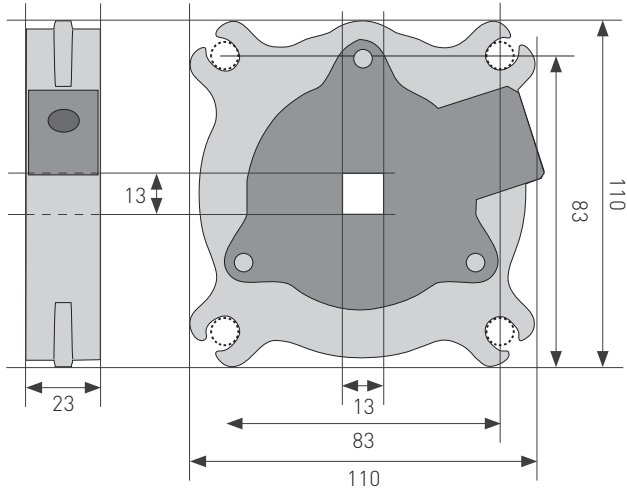
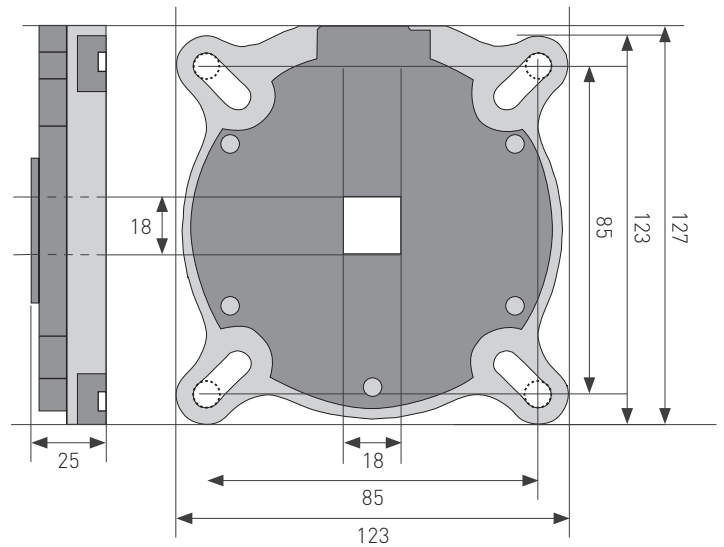


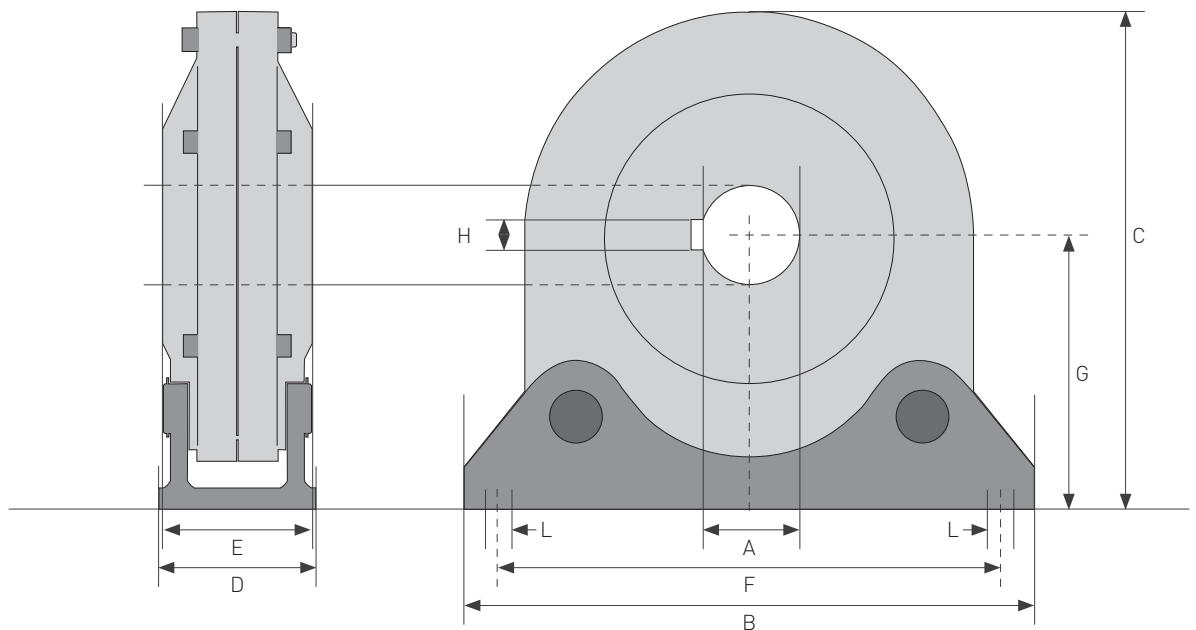
M1A/M1H



M2A



M3A M4A M7A M10A M15A M20A M30A



| Segment (mm) | M3A | M4A | M7A | M10A | M15A | M20A | M30A |
|-----------------|--------|---------|---------|---------|---------|---------|---------|
| A (*) | 25 | 30 | 40 | 40 | 50 | 65 | 70 |
| B | 165 | 216 | 268 | 280 | 320 | 345 | 415 |
| C | 158 | 202 | 255 | 260 | 265 | 290 | 348 |
| D | 33 | 56 | 56 | 71 | 71 | 71 | 104 |
| E | 30 | 50 | 55 | 57 | 58 | 63 | 105 |
| F | 145 | 186 | 240 | 240 | 290 | 315 | 365 |
| G | 91 | 122 | 151 | 156 | 140 | 153 | 191 |
| H | 8 | 8 | 12 | 12 | 14 | 18 | 20 |
| L (Ø) | 9 | 12 | 16 | 16 | 17 | 17 | 22 |
| Vis de fixation | 2 x M8 | 2 x M10 | 2 x M14 | 2 x M14 | 2 x M16 | 2 x M16 | 2 x M20 |

(*) : 25.4 pour PCS3A